



Ø320x88mm

AA250-80T Series

AC Round Plate Axial Fan



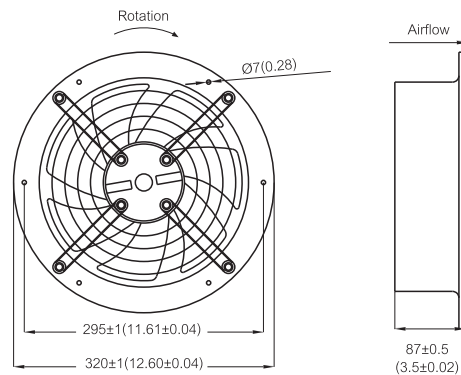
Specification:

Air Flow	950~990 CFM
Housing	All Metal Construction, Painted Black
Blades	Sheet-Steel,Welded onto Rotor
Bearing	Dual Ball Bearing, Permanently Lubricated
Termination	Lead Wire
Operating Voltage Range	85VAC to 125VAC for 115V Type 185VAC to 245 VAC for 230V Type
Insulation	Class "B" or "F"
Safety	Thermally Protected (Auto Restart)
Operating Temperature	-20°C to +70°C (Humidity 30%~85% RH)
Weight	3350g



Item Code	Rated Voltage	Frequency (Hz)	Rated Current(A)	Input Power(W)	Speed (RPM)	Air Flow (CFM)	Air Flow (m ³ /min)	Static Pressure (inch-H ₂ O)	Noise dB(A)	Capacitor (μF)
AA1V250-80T-FMF-B1-2C	115V	50/60	1.07/1.38	124/160	2400/2500	950/990	26.9/28.03	0.67/0.57	73/75	12μF 200VAC
AA2V250-80T-FMF-B1-2C	230V	50/60	0.55/0.70	124/160	2400/2500	950/990	26.9/28.03	0.67/0.57	73/75	3μF 400VAC

Outline Drawing: Unit:mm(Inch)



Characteristic Curves:

